

**RT33 (A592)**

## PARTS CATALOG

### INTRODUCTION

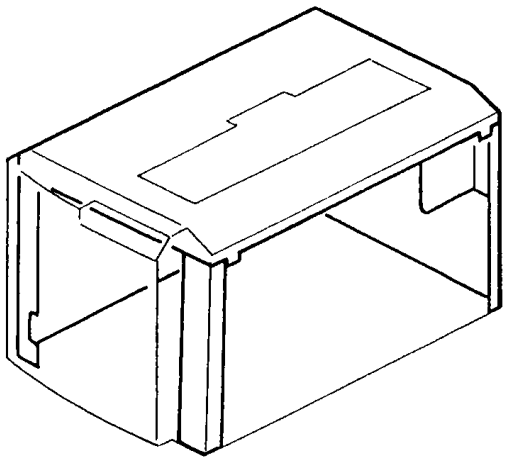
This chapter instructs you the numbers and names of parts on this machine.

### INDEX to PARTS CATALOG

<b>Location of Unit .....</b>	<b>3</b>
1.LCT UNIT 1 (A592) .....	4
2.LCT UNIT 2 (A592) .....	6
3.LCT UNIT 3 (A592) .....	8
4.LCT UNIT 4 (A592) .....	10
5.LCT UNIT 5 (A592) .....	12
6.DECAL AND DOCUMENT (A592) .....	14
<b>Parts Index .....</b>	<b>17</b>

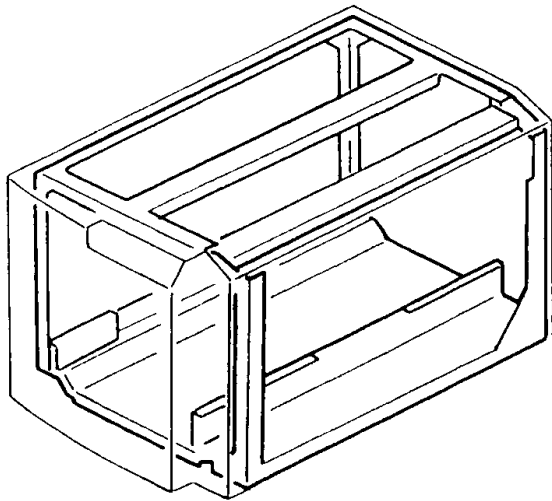
**Location of unit**

1. LCT UNIT 1 (A592)



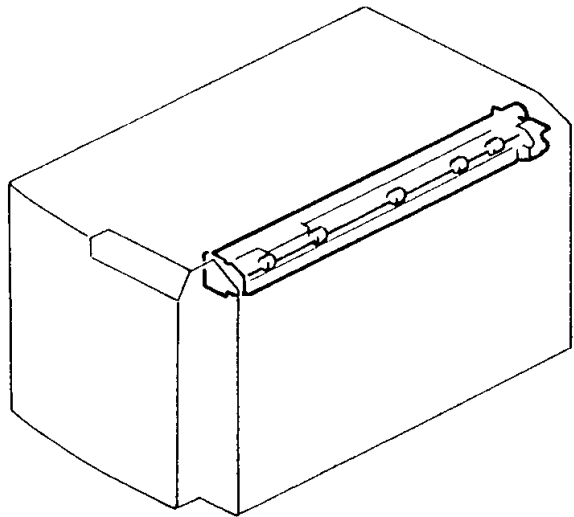
See Page 4

2. LCT UNIT 2 (A592)



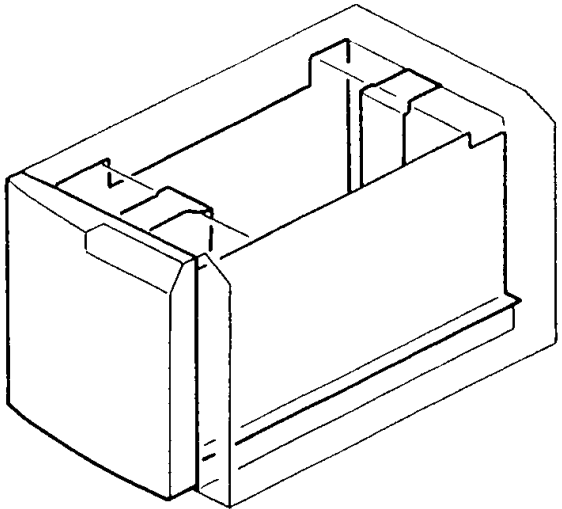
See Page 6

3. LCT UNIT 3 (A592)



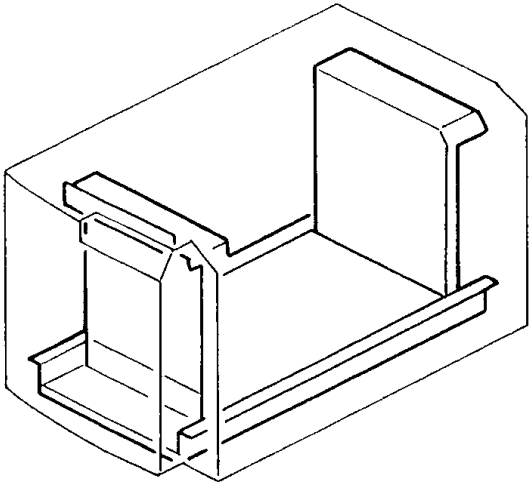
See Page 8

4. LCT UNIT 4 (A592)



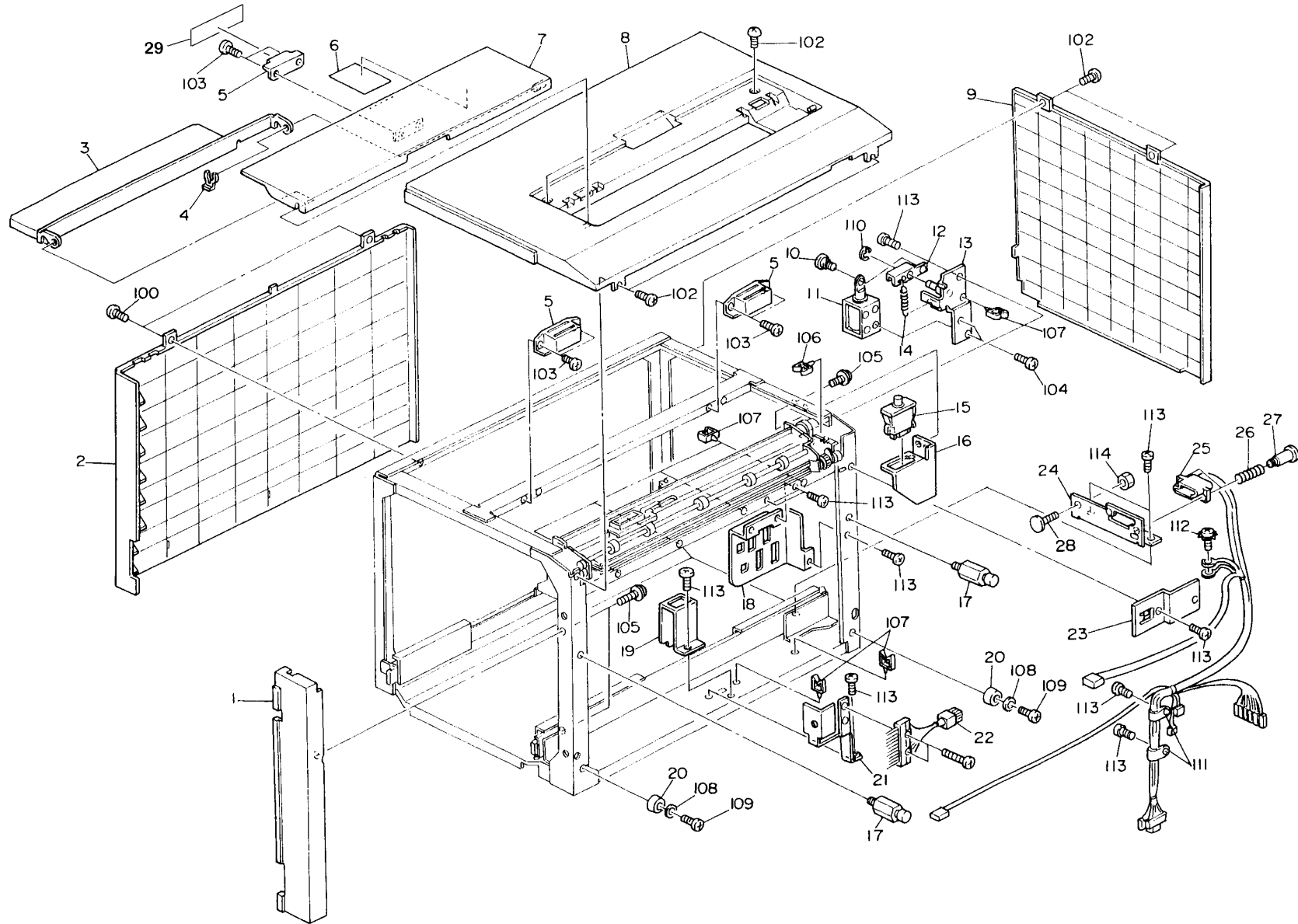
See Page 10

5. LCT UNIT 5 (A592)



See Page 12

# 1. LCT UNIT 1 (A592)

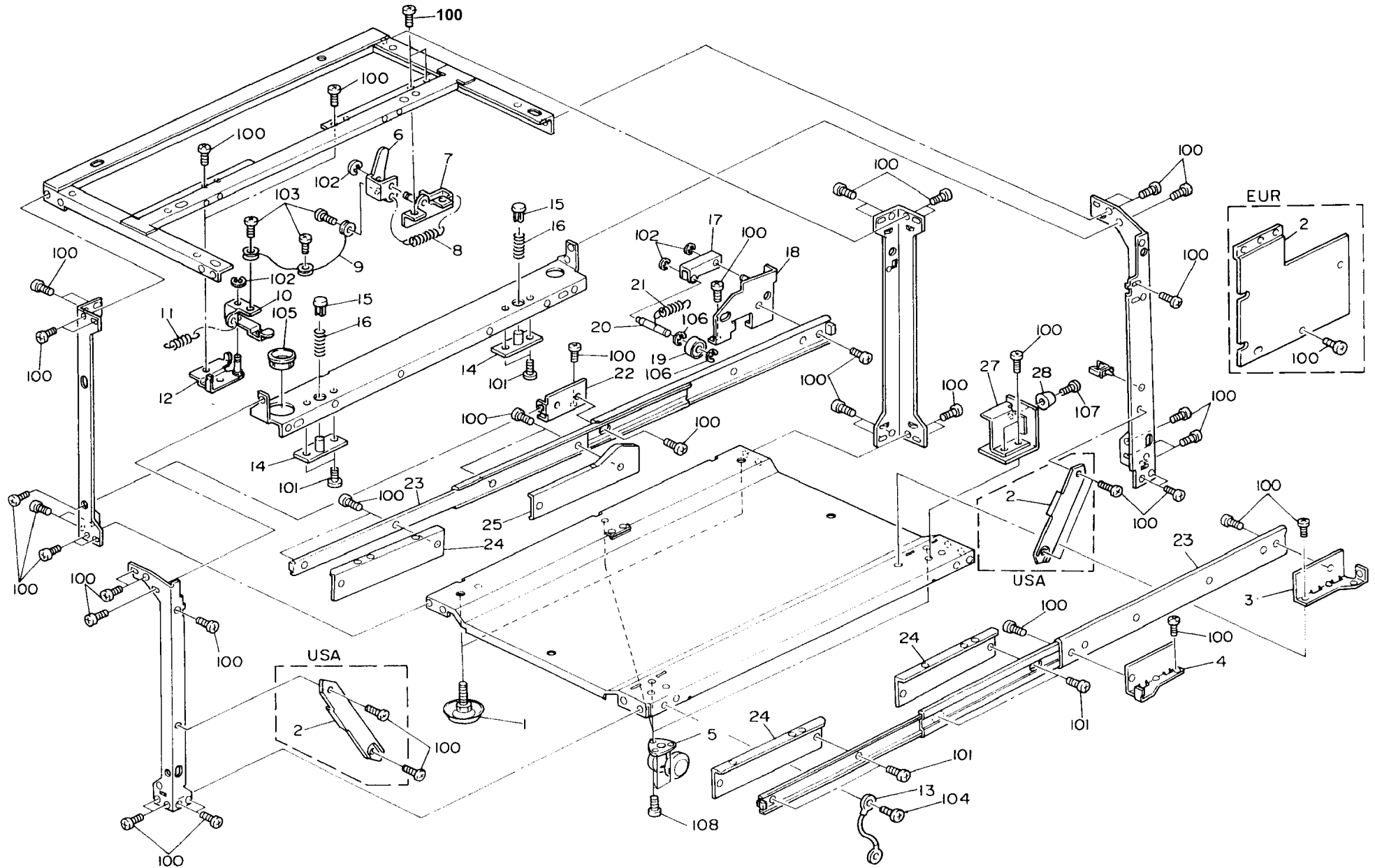


# 1.LCT UNIT 1 (A592)

Index No.	Part No.	Description	Q'ty Per Assembly
1	A355 3555	Right Cover - LCT	1
2	A355 3553	Left Cover - LCT	1
3	A355 1266	Middle Release Cover	1
4	5447 2681	Snap Ring	1
5	AG07 0004	Magnetic Catch	2
6	AA00 0170	Decal - Misfeed Removal	1
7	A355 1255	Release Cover	1
8	A355 1235	Upper Cover	1
9	A355 3554	Rear Cover - LCT	1
10	A355 3304	Link Shoulder Screw	1
11	A355 1095	Frame Solenoid	1
12	A355 1093	Locking Arm	1
13	A355 1090	Frame Lock Arm	1
14	AA06 0266	Setting Spring	1
15	A464 5121	Interlock Switch	1
16	A355 1088	Safety Switch Bracket	1
17	A355 1003	Joint Hinge	2
18	A355 1059	Harness Bracket	1
19	A355 1073	Cable Connector Bracket	1
20	5938 2765	Rubber Pad	2
21	A355 1077	Flat Cable Plate	1
22	A355 5150	Relay Harness	1
23	A355 1056	Frame Support Bracket	1
24	A355 1089	Drawer Stopper Angle	1
25	A355 5130	Frame Harness	1
26	AA06 3079	Spring	2
27	5446 5832	Connector Guide Pin	2
28	A459 2346	Stopper	1
29	A356 2907	Magnetic Seal	1

Index No.	Part No.	Description	Q'ty Per Assembly
100	0344 0120F	Philips Truss Head Screw - M4x12	
102	0434 0080W	Tapping Screw - M4x8	
103	0314 0060W	Philips Pan Head Screw - M4x6	
104	0313 0050W	Philips Pan Head Screw - M3x5	
105	0951 4006W	Philips Screw With Flat Washer-M4x	
106	1105 0201	Harness Clamp	
107	1105 0229	Clamp	
108	0700 0040W	Flat Washer - M4	
109	0314 0080W	Philips Pan Head Screw - M4x8	
110	0720 0040E	Retaining Ring - M4	
111	1105 0011	Nylon Clip - 8n	
112	0801 1185	Philips Truss Head Screw - M4x8	
113	0434 0060W	Tapping Screw - M4x6	
114	0710 0050W	Hexagon Nut - M5	

## 2. LCT UNIT 2 (A592)

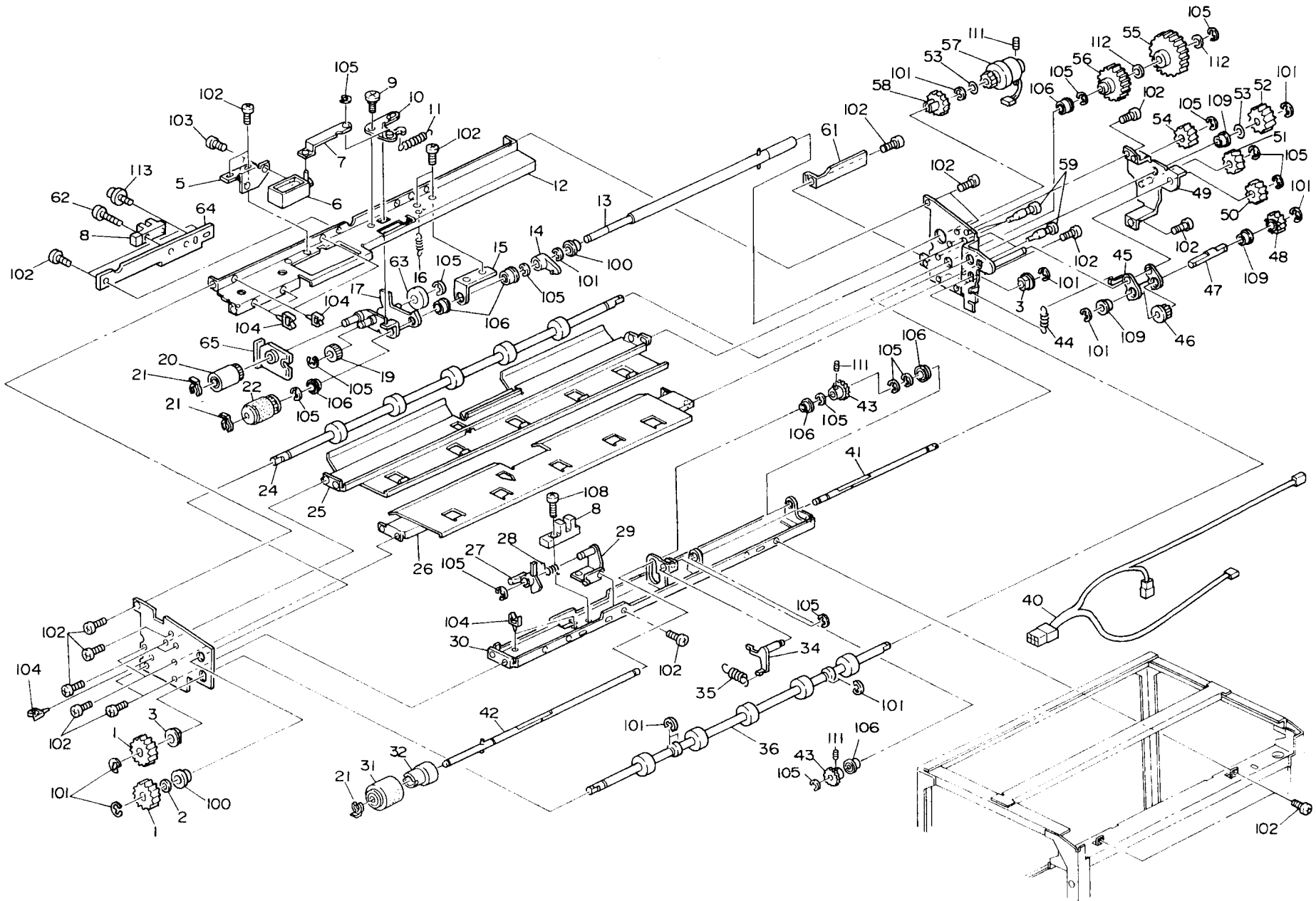


## 2.LCT UNIT 2 (A592)

Index No.	Part No.	Description	Q'ty Per Assembly
1	5424 1064	Screw Stand	2
2	A355 1079	Frame Support Bracket (USA)	2
2	A355 1056	Frame Support Bracket (EU)	1
3	A355 1075	Rear Right Frame Guide	1
4	A355 1074	Front Right Frame Guide	1
5	AH01 2007	Caster - 40kgf	3
6	A355 1193	Lock Release Lever	1
7	A355 1177	Release Lever Bracket	1
8	A010 2128	Spring	1
9	A355 1196	Release Wire	1
10	A355 1192	Release Lever - Middle Cover	2
11	5442 3233	Spring - Drive Wheel	2
12	A355 1186	Release Cover Bracket	2
13	A592 5560	Grounding Harness	1
14	A355 2681	Slider Guide	2
15	A028 3168	Spring Slider	2
16	AA06 3231	Transport Roller Spring	2
17	5446 2566	Detent Arm	1
18	A355 1080	Left Frame Angle	1
19	0740 3008	Ball Bearing - 8x22x7	1
20	AA14 5136	Stopper Pin	1
21	AA06 0578	Spring - Detent	1
22	A355 1076	Front Left Frame Guide	1
23	A355 1083	Slide Rail	2
24	A355 1085	Right Rail Bracket	3
25	A355 1084	Left Rail Bracket	1
27	A355 1082	Frame Stopper Bracket	1
28	5446 2560	Cushion - Paper Tray	1

Index No.	Part No.	Description	Q'ty Per Assembly
100	0434 0060W	Tapping Screw - M4x6	
101	0314 0060W	Philips Pan Head Screw - M4x6	
102	0720 0040E	Retaining Ring - M4	
103	0801 1244	Hexagonal Screw - M3x6	
104	0801 1185	Philips Truss Head Screw - M4x8	
105	1106 0350	Bushing - 29mm	
106	0720 0060E	Retaining Ring - M6	
107	0951 4010W	Philips Screw With Flatwasher-M4x1	
108	0354 0060W	Philips Truss Head Screw - M4x6	
108	0801 1185	Philips Truss Head Screw - M4x8	

### 3. LCT UNIT 3 (A592)



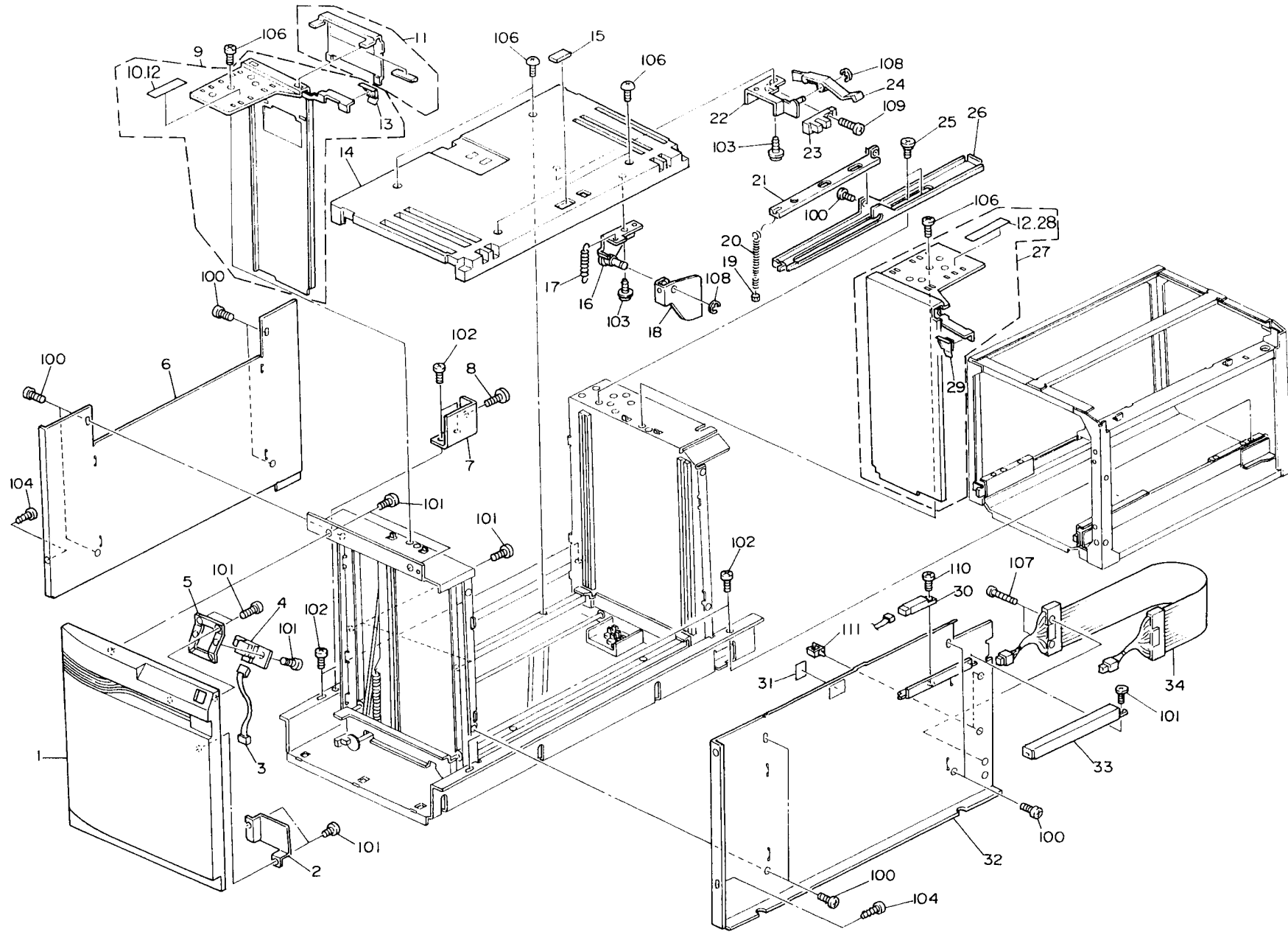


### 3.LCT UNIT 3 (A592)

Index No.	Part No.	Description	Q'ty Per Assembly
1	AB01 3623	Front Drive Gear	2
2	AA13 2013	Spacer - 8.2	1
3	5053 0223	Bushing - 8mm	2
5	A355 2565	Pick-up Solenoid Bracket	1
6	A079 2460	Pick-up Solenoid	1
7	A355 2576	Pick-up Solenoid Lever	1
8	AW02 0046	Photosensor 12V	2
9	AA14 3394	Stepped Screw - M3x10	1
10	A355 2580	Pick-up Lever	1
11	AA06 0137	Pick-up Spring	1
12	A355 2566	Paper Feed Stay	1
13	A592 2585	Feed Shaft	1
14	A096 6353	Feed Roller Lever	1
15	A592 2572	Feed Shaft Bracket	1
16	AA06 0447	Stopper Spring	1
17	A592 2604	Pick-up Roller Bracket	1
19	5447 2706	Gear - 15T	1
20	AF03 0020	Pick-up Roller	1
21	5447 2681	Snap Ring	3
22	AF03 1022	Paper Feed Roller	1
24	AF02 0245	Transport Drive Roller	1
25	A592 2630	Upper Feed Guide Plate	1
26	A592 2640	Separation Guide Plate	1
27	A079 2733	Separation Sensor Feeler	1
28	AA06 6190	Feed Sensor Spring	1
29	A355 2670	Separation Sensor Bracket	1
30	A592 2650	Separation Stay	1
31	AF03 2023	Separation Roller	1
32	A097 6000	Separation Torque Limitter	1
34	A355 2660	Separation Lever	1
35	AA06 0378	Separation Spring	1
36	AF02 0244	Transport Driven Roller	1
40	A355 5140	Paper Feed Harness	1
41	AA14 0579	Separation Drive Shaft	1
42	A592 2586	Separation Shaft	1

Index No.	Part No.	Description	Q'ty Per Assembly
43	AB01 0093	Gear - 18Z	2
44	5447 2743	Lever Spring	1
45	A355 2620	Idler Holder	1
46	AB01 3628	Idler Gear-24z	1
47	AA14 5169	Idler Pin	1
48	AB01 3940	Idle Gear - 20z	1
49	A355 2610	Support Plate Bracket	1
50	AB01 3941	Joining Idle Gear	1
51	AB01 3625	Feed Idler Gear	1
52	AB01 3943	Drive Gear	1
53	AA13 2013	Spacer - 8.2	2
54	AB01 3626	Idler Gear	1
55	AB01 3945	Separation Drive Gear	1
56	AB01 3631	Gear - Coupling - Separate	1
57	AX20 0121	Magnetic Clutch	1
58	AB01 3594	Gear - 28Z	1
59	5887 4162	Screw - Driven Guide Plate	4
61	A355 2592	Paper Feed Stopper	1
62	AA14 3394	Stepped Screw - M3x10	1
63	AA13 2159	Paper Guide Roller	1
64	A355 2573	Sensor Adjusting Plate	1
65	A355 2603	Paper Height Feeler	1
100	0742 3808	Ball Bearing - 8x16x5	
101	0720 0060E	Retaining Ring - M6	
102	0314 0060W	Philips Pan Head Screw - M4x6	
103	0313 0050W	Philips Pan Head Screw - M3x5	
104	1105 0229	Clamp	
105	0720 0040E	Retaining Ring - M4	
106	0741 3706M	Ball Bearing - 6x10x3	
108	0314 0100W	Philips Pan Head Screw - M4x10	
109	0805 3307	Ball Bearing - 8x14x4mm	
111	0573 0030W	Hexagon Headless Set Screw - M3x3	
112	0807 4123	Spacer - 6x13x1	
113	0951 4006W	Philips Screw With Flat Washer-M4x	

# 4. LCT UNIT 4 (A592)

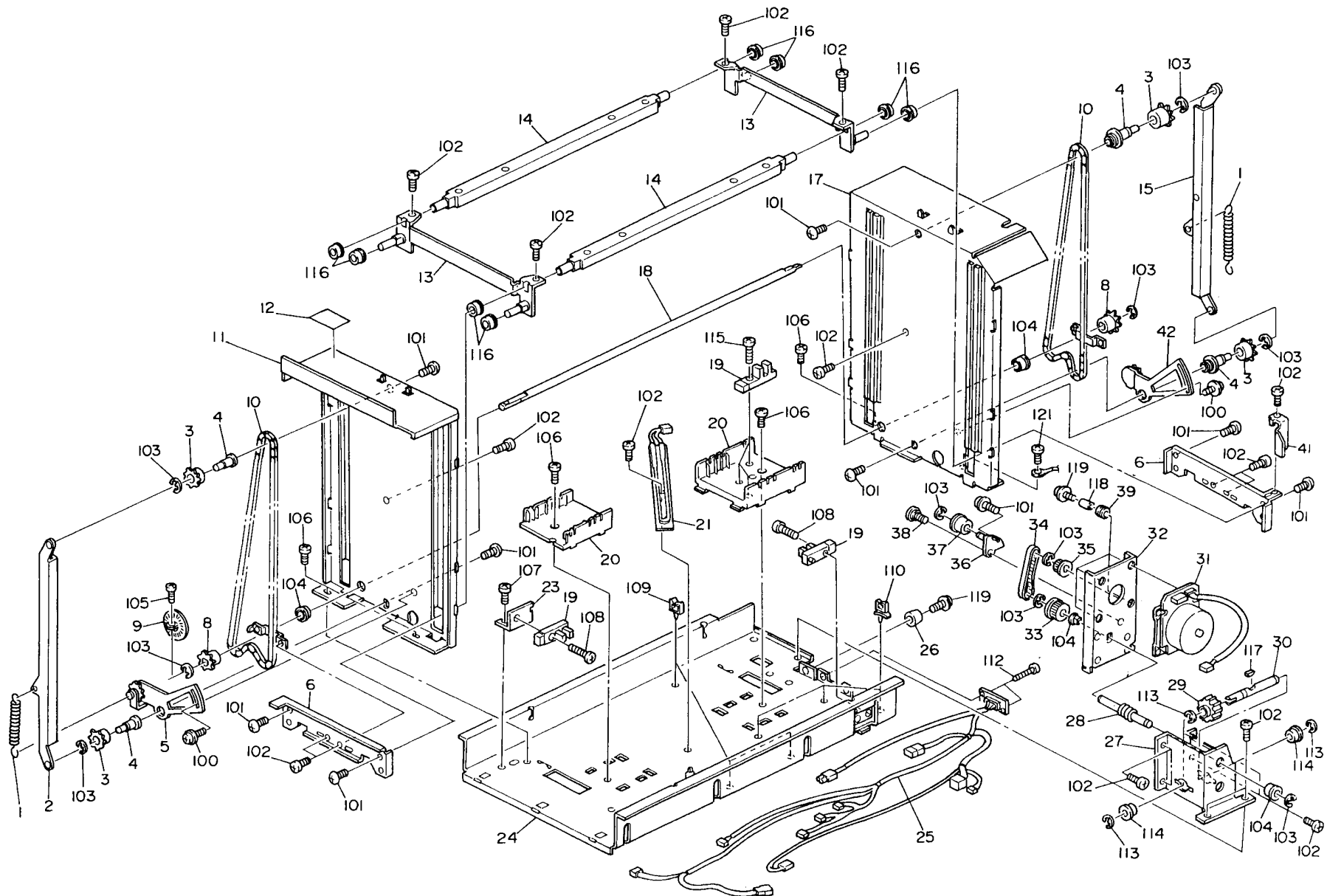


#### 4.LCT UNIT 4 (A592)

Index No.	Part No.	Description	Q'ty Per Assembly
1	A592 1250	Front Cover - Drawer	1
2	A355 1259	Switch Cover (LT)	1
2	A355 1325	Switch Cover (A4)	1
3	A355 5160	Switch Harness	1
4	A355 5320	Push Switch	1
5	A355 1260	Switch Bracket	1
6	A355 1126	Left Side Plate (LT)	1
6	A355 1316	Left Side Plate (A4)	1
7	A355 1159	Drawer Stopper Bracket (LT)	1
7	A355 1322	Drawer Stopper Bracket (A4)	1
8	A459 2346	Stopper	1
9	A355 1032	Front Side Fence Bracket - LT	1
9	A355 1034	Front Side Fence Bracket - A4	1
10	AA00 2163	Size Decal - Right - LT	1
11	A355 1152	Side Fence Leaf Spring	1
12	AA00 2164	Size Decal - A4	2
13	A000 2839	Rear Side Plate	1
14	A355 3420	Paper Tray - LT	1
14	A355 3421	Paper Tray - A4	1
15	5201 2858	Friction Pad	1
16	A355 1148	Shielding Bracket	1
17	5442 3233	Spring - Drive Wheel	1
18	A355 1146	Paper Tray Shielding	1
19	A355 1167	End Fence Cap	1
20	A355 1164	End Fence Plate	1
21	A355 1166	End Fence Cover (LT)	1
21	A355 1324	End Fence Cover (A4)	1
22	A355 1142	Paper End Bracket	1
23	AW02 0046	Photosensor 12V	1
24	A355 1144	Paper End Feeler	1
25	5413 1882	Stepped Screw	2
26	A355 1163	End Fence (LT)	1
26	A355 1323	End Fence (A4)	1
27	A355 1033	Rear Side Fence Bracket - LT	1
27	A355 1035	Rear Side Fence Bracket - A4	1

Index No.	Part No.	Description	Q'ty Per Assembly
28	AA00 2162	Size Decal - Left - LT	1
29	A000 2828	Front Side Plate	1
30	A355 5300	Paper Detect Sensor	1
31	AA00 2010	Decal - Paper Level	1
32	A355 1128	Right Side Plate (LT)	1
32	A355 1317	Right Side Plate (A4)	1
33	A355 1132	Cover (LT)	1
33	A355 1320	Cover (A4)	1
34	A355 5150	Relay Harness	1
100	0434 0060W	Tapping Screw - M4x6	
101	0314 0060W	Philips Pan Head Screw - M4x6	
102	0434 0080W	Tapping Screw - M4x8	
103	0434 0082W	Tapping Screw - M4x8	
104	0951 4006W	Philips Screw With Flat Washer-M4x	
106	0344 0060W	Philips Truss Head Screw - M4x6	
107	0313 0120W	Philips Pan Head Screw - M3x12	
108	0720 0040E	Retaining Ring - M4	
109	0314 0120W	Philips Pan Head Screw - M4x12	
110	0313 0080W	Philips Pan Head Screw - M3x8	
111	1105 0229	Clamp	

# 5. LCT UNIT 5 (A592)

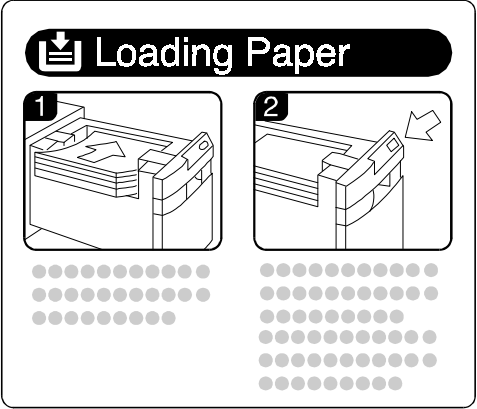
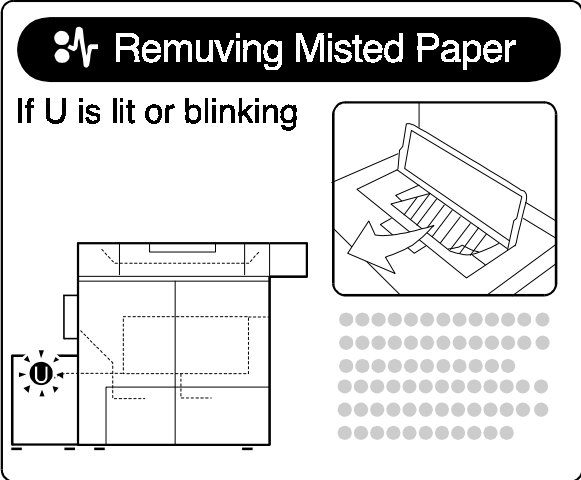
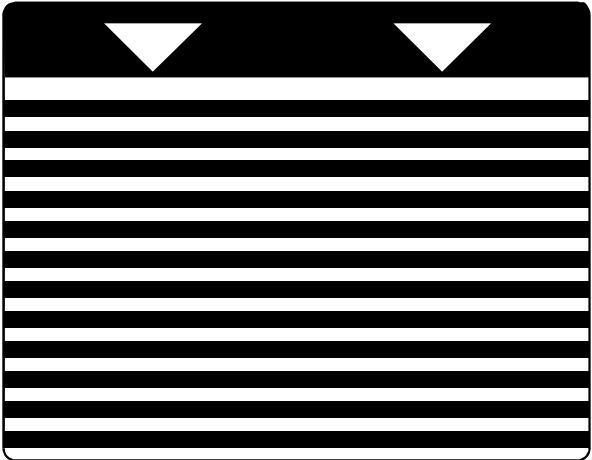
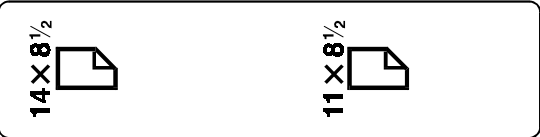

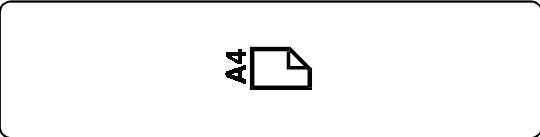


## 5.LCT UNIT 5 (A592)

Index No.	Part No.	Description	Q'ty Per Assembly
1	A459 2095	Tightener Spring	2
2	A355 1160	Front Sprocket Bracket	1
3	A355 1117	Driven Sprocket	4
4	AA14 7328	Driven Sprocket Stud	4
5	A355 1115	Front Chain Tightener	1
6	A355 1168	Paper Tray Balancer	2
8	AB02 3060	Drive Sprocket	2
9	A355 1183	Paper Detect Disk	1
10	A355 1172	Chain - 4.7625 192p	2
11	A355 1110	Front Side Plate (LT)	1
11	A355 1308	Front Side Plate (A4)	1
12	AA00 0125	Decal - Load Paper	1
13	A355 1175	Balancer Supporter	2
14	AA14 0443	Stay Shaft	2
15	A355 1161	Rear Sprocket Bracket	1
17	A355 1120	Rear Side Plate (LT)	1
17	A355 1313	Rear Side Plate (A4)	1
18	AA14 3342	Drive Shaft	1
19	AW02 0046	Photosensor 12V	5
20	A355 3351	Side Detect Bracket	2
21	5446 5463	Dehumidity Heater	1
23	A355 1184	Paper Detect Disk Bracket	1
24	A355 1134	Drawer Base	1
25	A355 5120	Drawer Harness	1
26	5446 2560	Cushion - Paper Tray	1
27	A355 1181	Gear Bracket	1
28	AB01 3622	Tray Worm	1
29	A459 2116	Worm Wheel	1
30	AA14 5168	Gear Shaft	1
31	AX06 0055	DC Motor - 24V 23W	1
32	A355 1180	Motor Bracket	1
33	AB03 0347	Pulley - 58	1
34	AA04 3169	Timing Belt - 201P3MG	1
35	AB03 0348	Pulley - 18	1
36	A355 1190	Tightener	1

Index No.	Part No.	Description	Q'ty Per Assembly
37	AB03 0276	Tightener Pulley	1
38	AA14 3074	Stepped Screw - M4x5	1
39	AA16 1104	Cushion - Motor	4
41	A355 1169	Lower Safety Switch Feeler	1
42	A355 1123	Rear Chain Tightener	1
100	0951 4006W	Philips Screw With Flat Washer-M4x	
101	0344 0060W	Philips Truss Head Screw - M4x6	
102	0314 0060W	Philips Pan Head Screw - M4x6	
103	0720 0060E	Retaining Ring - M6	
104	0742 3808	Ball Bearing - 8x16x5	
105	0313 0050W	Philips Pan Head Screw - M3x5	
106	0434 0080W	Tapping Screw - M4x8	
107	0434 0060W	Tapping Screw - M4x6	
108	0314 0120W	Philips Pan Head Screw - M4x12	
109	1105 0229	Clamp	
110	1105 0201	Harness Clamp	
112	0313 0080W	Philips Pan Head Screw - M3x8	
113	0720 0080E	Retaining Ring - M8	
114	0742 3010S	Bearing - 10mm	
115	0434 0142W	Pan Head Self-tapping Screw - M4x1	
116	0741 3808	Ball Bearing - 8x16x5mm	
117	0936 0250	Semicircle Key	
118	0707 4050B	Bushing - 4 X5	
119	0951 4010W	Philips Screw With Flatwasher-M4x1	
121	0801 1185	Philips Truss Head Screw - M4x8	

## 6. DECAL AND DOCUMENT (A592)

<p>1</p> <p><b>Loading Paper</b></p> 	<p>2</p> <p><b>Removing Misted Paper</b></p> <p>If U is lit or blinking</p> 	<p>3</p> 
<p>4</p> 	<p>5</p> 	<p>6</p> 

## 6.DECAL AND DOCUMENT (A592)



Index No.	Part No.	Description	Q'ty Per Assembly
1	AA00 0125	Decal - Load Paper	1
2	AA00 0170	Decal - Misfeed Removal	1
3	AA00 2010	Decal - Paper Level	1
4	AA00 2162	Size Decal - Left - LT	1
5	AA00 2163	Size Decal - Right - LT	1
6	AA00 2164	Size Decal - A4	1

Index No.	Part No.	Description	Q'ty Per Assembly

# **PARTS INDEX**



Part No.	Description	Page and Index No.
A592 1250	Front Cover - Drawer	11- 1
A592 2572	Feed Shaft Bracket	9- 15
A592 2585	Feed Shaft	9- 13
A592 2586	Separation Shaft	9- 42
A592 2604	Pick-up Roller Bracket	9- 17
A592 2630	Upper Feed Guide Plate	9- 25
A592 2640	Separation Guide Plate	9- 26
A592 2650	Separation Stay	9- 30
A592 5560	Grounding Harness	7- 13

Part No.	Description	Page and Index No.
AA00 0125	Decal - Load Paper	13- 12
AA00 0125	Decal - Load Paper	15- 1
AA00 0170	Decal - Misfeed Removal	5- 6
AA00 0170	Decal - Misfeed Removal	15- 2
AA00 2010	Decal - Paper Level	11- 31
AA00 2010	Decal - Paper Level	15- 3
AA00 2162	Size Decal - Left - LT	11- 28
AA00 2162	Size Decal - Left - LT	15- 4
AA00 2163	Size Decal - Right - LT	11- 10
AA00 2163	Size Decal - Right - LT	15- 5
AA00 2164	Size Decal - A4	11- 12
AA00 2164	Size Decal - A4	15- 6
AA04 3169	Timing Belt - 201P3MG	13- 34
AA06 0137	Pick-up Spring	9- 11
AA06 0266	Setting Spring	5- 14
AA06 0378	Separation Spring	9- 35
AA06 0447	Stopper Spring	9- 16
AA06 0578	Spring - Detent	7- 21
AA06 3079	Spring	5- 26
AA06 3231	Transport Roller Spring	7- 16
AA06 6190	Feed Sensor Spring	9- 28
AA13 2013	Spacer - 8.2	9- 2
AA13 2013	Spacer - 8.2	9- 53
AA13 2159	Paper Guide Roller	9- 63
AA14 0443	Stay Shaft	13- 14
AA14 0579	Separation Drive Shaft	9- 41
AA14 3074	Stepped Screw - M4x5	13- 38
AA14 3342	Drive Shaft	13- 18
AA14 3394	Stepped Screw - M3x10	9- 9
AA14 3394	Stepped Screw - M3x10	9- 62
AA14 5136	Stopper Pin	7- 20
AA14 5168	Gear Shaft	13- 30
AA14 5169	Idler Pin	9- 47
AA14 7328	Driven Sprocket Stud	13- 4
AA16 1104	Cushion - Motor	13- 39

Part No.	Description	Page and Index No.
AB01 0093	Gear - 18Z	9- 43
AB01 3594	Gear - 28Z	9- 58
AB01 3622	Tray Worm	13- 28
AB01 3623	Front Drive Gear	9- 1
AB01 3625	Feed Idler Gear	9- 51
AB01 3626	Idler Gear	9- 54
AB01 3628	Idler Gear-24z	9- 46
AB01 3631	Gear - Coupling - Separate	9- 56
AB01 3940	Idle Gear - 20z	9- 48
AB01 3941	Joining Idle Gear	9- 50
AB01 3943	Drive Gear	9- 52
AB01 3945	Separation Drive Gear	9- 55
AB02 3060	Drive Sprocket	13- 8
AB03 0276	Tightener Pulley	13- 37
AB03 0347	Pulley - 58	13- 33
AB03 0348	Pulley - 18	13- 35
AF02 0244	Transport Driven Roller	9- 36
AF02 0245	Transport Drive Roller	9- 24
AF03 0020	Pick-up Roller	9- 20
AF03 1022	Paper Feed Roller	9- 22
AF03 2023	Separation Roller	9- 31
AG07 0004	Magnetic Catch	5- 5
AH01 2007	Caster - 40kgf	7- 5
AW02 0046	Photosensor 12V	9- 8
AW02 0046	Photosensor 12V	11- 23
AW02 0046	Photosensor 12V	13- 19
AX06 0055	DC Motor - 24V 23W	13- 31
AX20 0121	Magnetic Clutch	9- 57

Part No.	Description	Page and Index No.
A000 2828	Front Side Plate	11- 29
A000 2839	Rear Side Plate	11- 13
A010 2128	Spring	7- 8
A028 3168	Spring Slider	7- 15
A079 2460	Pick-up Solenoid	9- 6
A079 2733	Separation Sensor Feeler	9- 27
A096 6353	Feed Roller Lever	9- 14
A097 6000	Separation Torque Limiter	9- 32
A355 1003	Joint Hinge	5- 17
A355 1032	Front Side Fence Bracket - LT	11- 9
A355 1033	Rear Side Fence Bracket - LT	11- 27
A355 1034	Front Side Fence Bracket - A4	11- 9
A355 1035	Rear Side Fence Bracket - A4	11- 27
A355 1056	Frame Support Bracket	5- 23
A355 1056	Frame Support Bracket (EU)	7- 2
A355 1059	Harness Bracket	5- 18
A355 1073	Cable Connector Bracket	5- 19
A355 1074	Front Right Frame Guide	7- 4
A355 1075	Rear Right Frame Guide	7- 3
A355 1076	Front Left Frame Guide	7- 22
A355 1077	Flat Cable Plate	5- 21
A355 1079	Frame Support Bracket (USA)	7- 2
A355 1080	Left Frame Angle	7- 18
A355 1082	Frame Stopper Bracket	7- 27
A355 1083	Slide Rail	7- 23
A355 1084	Left Rail Bracket	7- 25
A355 1085	Right Rail Bracket	7- 24
A355 1088	Safety Switch Bracket	5- 16
A355 1089	Drawer Stopper Angle	5- 24
A355 1090	Frame Lock Arm	5- 13
A355 1093	Locking Arm	5- 12
A355 1095	Frame Solenoid	5- 11
A355 1110	Front Side Plate (LT)	13- 11
A355 1115	Front Chain Tightener	13- 5
A355 1117	Driven Sprocket	13- 3

Part No.	Description	Page and Index No.
A355 1120	Rear Side Plate (LT)	13- 17
A355 1123	Rear Chain Tightener	13- 42
A355 1126	Left Side Plate (LT)	11- 6
A355 1128	Right Side Plate (LT)	11- 32
A355 1132	Cover (LT)	11- 33
A355 1134	Drawer Base	13- 24
A355 1142	Paper End Bracket	11- 22
A355 1144	Paper End Feeler	11- 24
A355 1146	Paper Tray Shielding	11- 18
A355 1148	Shielding Bracket	11- 16
A355 1152	Side Fence Leaf Spring	11- 11
A355 1159	Drawer Stopper Bracket (LT)	11- 7
A355 1160	Front Sprocket Bracket	13- 2
A355 1161	Rear Sprocket Bracket	13- 15
A355 1163	End Fence (LT)	11- 26
A355 1164	End Fence Plate	11- 20
A355 1166	End Fence Cover (LT)	11- 21
A355 1167	End Fence Cap	11- 19
A355 1168	Paper Tray Balancer	13- 6
A355 1169	Lower Safety Switch Feeler	13- 41
A355 1172	Chain - 4.7625 192p	13- 10
A355 1175	Balancer Supporter	13- 13
A355 1177	Release Lever Bracket	7- 7
A355 1180	Motor Bracket	13- 32
A355 1181	Gear Bracket	13- 27
A355 1183	Paper Detect Disk	13- 9
A355 1184	Paper Detect Disk Bracket	13- 23
A355 1186	Release Cover Bracket	7- 12
A355 1190	Tightener	13- 36
A355 1192	Release Lever - Middle Cover	7- 10
A355 1193	Lock Release Lever	7- 6
A355 1196	Release Wire	7- 9
A355 1235	Upper Cover	5- 8
A355 1255	Release Cover	5- 7
A355 1259	Switch Cover (LT)	11- 2

Part No.	Description	Page and Index No.
A355 1260	Switch Bracket	11- 5
A355 1266	Middle Release Cover	5- 3
A355 1308	Front Side Plate (A4)	13- 11
A355 1313	Rear Side Plate (A4)	13- 17
A355 1316	Left Side Plate (A4)	11- 6
A355 1317	Right Side Plate (A4)	11- 32
A355 1320	Cover (A4)	11- 33
A355 1322	Drawer Stopper Bracket (A4)	11- 7
A355 1323	End Fence (A4)	11- 26
A355 1324	End Fence Cover (A4)	11- 21
A355 1325	Switch Cover (A4)	11- 2
A355 2565	Pick-up Solenoid Bracket	9- 5
A355 2566	Paper Feed Stay	9- 12
A355 2573	Sensor Adjusting Plate	9- 64
A355 2576	Pick-up Solenoid Lever	9- 7
A355 2580	Pick-up Lever	9- 10
A355 2592	Paper Feed Stopper	9- 61
A355 2603	Paper Height Feeler	9- 65
A355 2610	Support Plate Bracket	9- 49
A355 2620	Idler Holder	9- 45
A355 2660	Separation Lever	9- 34
A355 2670	Separation Sensor Bracket	9- 29
A355 2681	Slider Guide	7- 14
A355 3304	Link Shoulder Screw	5- 10
A355 3351	Side Detect Bracket	13- 20
A355 3420	Paper Tray - LT	11- 14
A355 3421	Paper Tray - A4	11- 14
A355 3553	Left Cover - LCT	5- 2
A355 3554	Rear Cover - LCT	5- 9
A355 3555	Right Cover - LCT	5- 1
A355 5120	Drawer Harness	13- 25
A355 5130	Frame Harness	5- 25
A355 5140	Paper Feed Harness	9- 40
A355 5150	Relay Harness	5- 22
A355 5150	Relay Harness	11- 34

Part No.	Description	Page and Index No.
A355 5160	Switch Harness	11- 3
A355 5300	Paper Detect Sensor	11- 30
A355 5320	Push Switch	11- 4
A356 2907	Magnetic Seal	5- 29
A459 2095	Tightener Spring	13- 1
A459 2116	Worm Wheel	13- 29
A459 2346	Stopper	5- 28
A459 2346	Stopper	11- 8
A464 5121	Interlock Switch	5- 15
5053 0223	Bushing - 8mm	9- 3
5201 2858	Friction Pad	11- 15
5413 1882	Stepped Screw	11- 25
5424 1064	Screw Stand	7- 1
5442 3233	Spring - Drive Wheel	7- 11
5442 3233	Spring - Drive Wheel	11- 17
5446 2560	Cushion - Paper Tray	7- 28
5446 2560	Cushion - Paper Tray	13- 26
5446 2566	Detent Arm	7- 17
5446 5463	Dehumidity Heater	13- 21
5446 5832	Connector Guide Pin	5- 27
5447 2681	Snap Ring	5- 4
5447 2681	Snap Ring	9- 21
5447 2706	Gear - 15T	9- 19
5447 2743	Lever Spring	9- 44
5887 4162	Screw - Driven Guide Plate	9- 59
5938 2765	Rubber Pad	5- 20

Part No.	Description	Page and Index No.
0313 0050W	Philips Pan Head Screw - M3x5	5-104
0313 0050W	Philips Pan Head Screw - M3x5	9-103
0313 0050W	Philips Pan Head Screw - M3x5	13-105
0313 0080W	Philips Pan Head Screw - M3x8	11-110
0313 0080W	Philips Pan Head Screw - M3x8	13-112
0313 0120W	Philips Pan Head Screw - M3x12	11-107
0314 0060W	Philips Pan Head Screw - M4x6	5-103
0314 0060W	Philips Pan Head Screw - M4x6	7-101
0314 0060W	Philips Pan Head Screw - M4x6	9-102
0314 0060W	Philips Pan Head Screw - M4x6	11-101
0314 0060W	Philips Pan Head Screw - M4x6	13-102
0314 0080W	Philips Pan Head Screw - M4x8	5-109
0314 0100W	Philips Pan Head Screw - M4x10	9-108
0314 0120W	Philips Pan Head Screw - M4x12	11-109
0314 0120W	Philips Pan Head Screw - M4x12	13-108
0344 0060W	Philips Truss Head Screw - M4x6	11-106
0344 0060W	Philips Truss Head Screw - M4x6	13-101
0344 0120F	Philips Truss Head Screw - M4x12	5-100
0354 0060W	Philips Truss Head Screw - M4x6	7-108
0434 0060W	Tapping Screw - M4x6	5-113
0434 0060W	Tapping Screw - M4x6	7-100
0434 0060W	Tapping Screw - M4x6	11-100
0434 0060W	Tapping Screw - M4x6	13-107
0434 0080W	Tapping Screw - M4x8	5-102
0434 0080W	Tapping Screw - M4x8	11-102
0434 0080W	Tapping Screw - M4x8	13-106
0434 0082W	Tapping Screw - M4x8	11-103
0434 0142W	Pan Head Self-tapping Screw - M4x1	13-115
0573 0030W	Hexagon Headless Set Screw - M3x3	9-111
0700 0040W	Flat Washer - M4	5-108
0707 4050B	Bushing - 4 X5	13-118
0710 0050W	Hexagon Nut - M5	5-114
0720 0040E	Retaining Ring - M4	5-110
0720 0040E	Retaining Ring - M4	7-102
0720 0040E	Retaining Ring - M4	9-105

